

EXPLANATIONS
ALL MEASURES ARE IN
MILLIMETERS.

NOTES
THE SLIDING WINDOW SHALL BE
TYPE NJORD THERMO, SVALSON AB
SWEDEN (+46 911 66725).

CONSTRUCTION
MOTOR, TRANSMISSION AND
AUTOMATIC LOCKING SHALL
BE PLACED WITHIN THE FRAME.

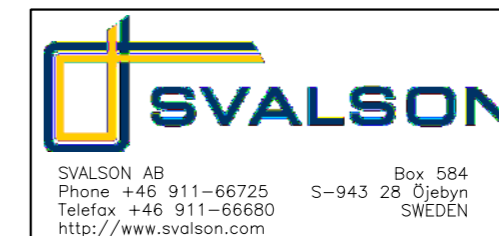
LOCKING
THE SLIDING WINDOW SHALL BE
LOCKED AUTOMATICALLY IN
CLOSED POSITION. (LOCKING
IN 50 mm INTERVAL IS
OPTIONAL.)

FINISH
THE ALUMINIUMPROFILES SHALL
BE SATIN ANODISED. (OR ANY
OTHER FINISH, FOR INSTANCE
COLOUR COATED OR ANODISED
IN OTHER COLOURS.)

GLASS
DOUBLE GLAZING 4-15-4. (OR
FOR INSTANCE 6-12-6 mm.)

OPENINGSPEED
THE OPENINGSPEED OF THE
SLIDING WINDOW IS APPROX.
200 mm/SECOND.

REV	REVISION REFERS TO	DATE	SIGN
-----	--------------------	------	------

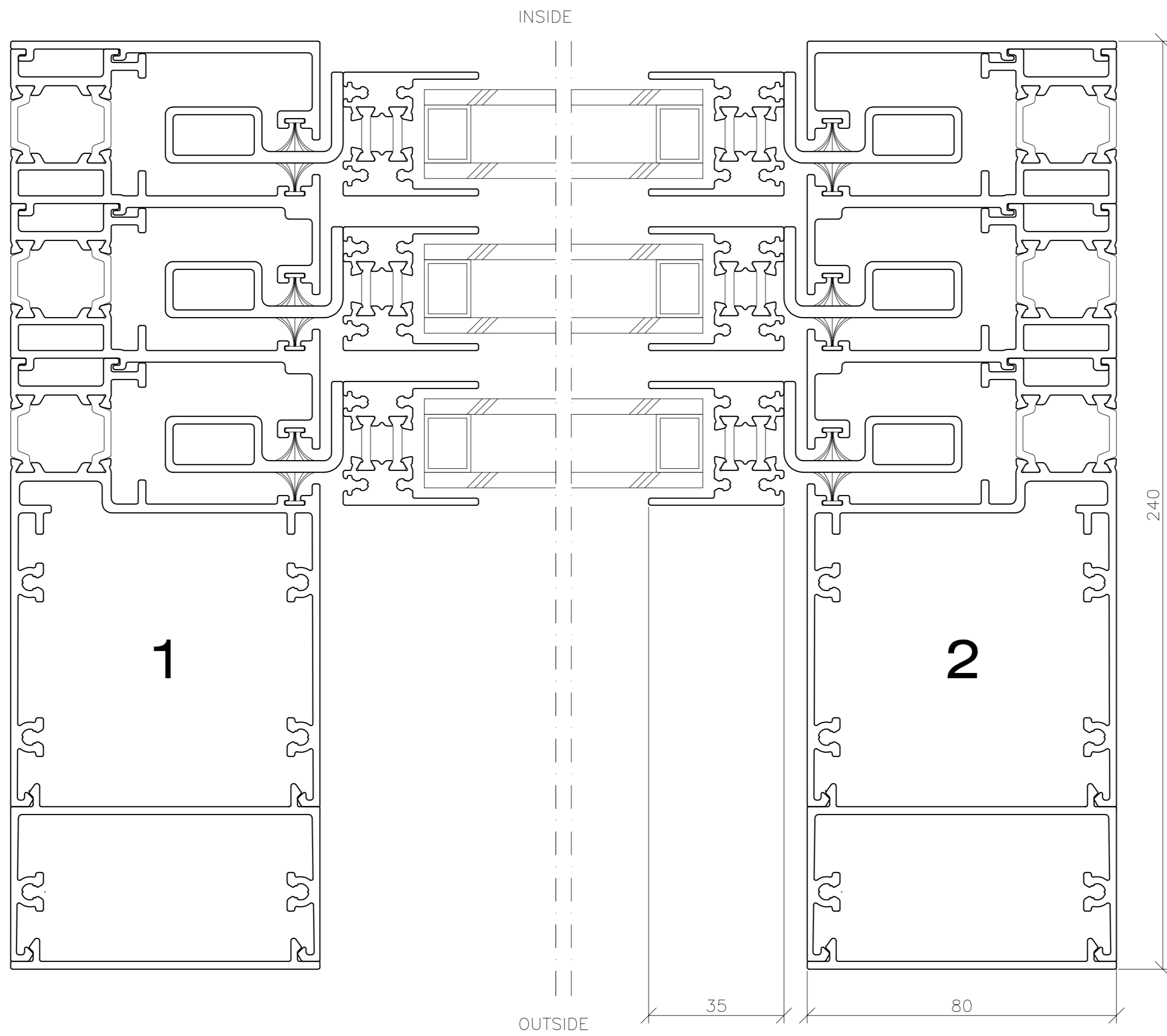


SVALSON AB
Phone +46 911-66725
Telefax +46 911-66680
http://www.svalson.com

S-943 Box 584
28 Ojebyn
SWEDEN

SLIDING WINDOW
TYPE NJORD THERMO

DRAWN/DESIGN	SCALE	VIEW FROM OUTSIDE	VIEW FROM INSIDE
---	1:10	<input checked="" type="checkbox"/>	<input type="checkbox"/>
DATE	DRAWING NUMBER	REV	
DD.MM.YY	NJORD THERMO		



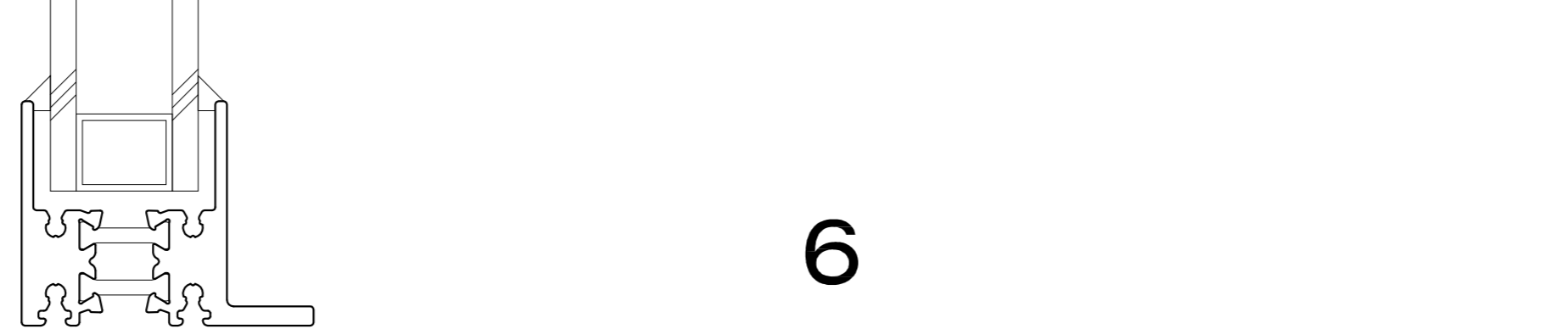
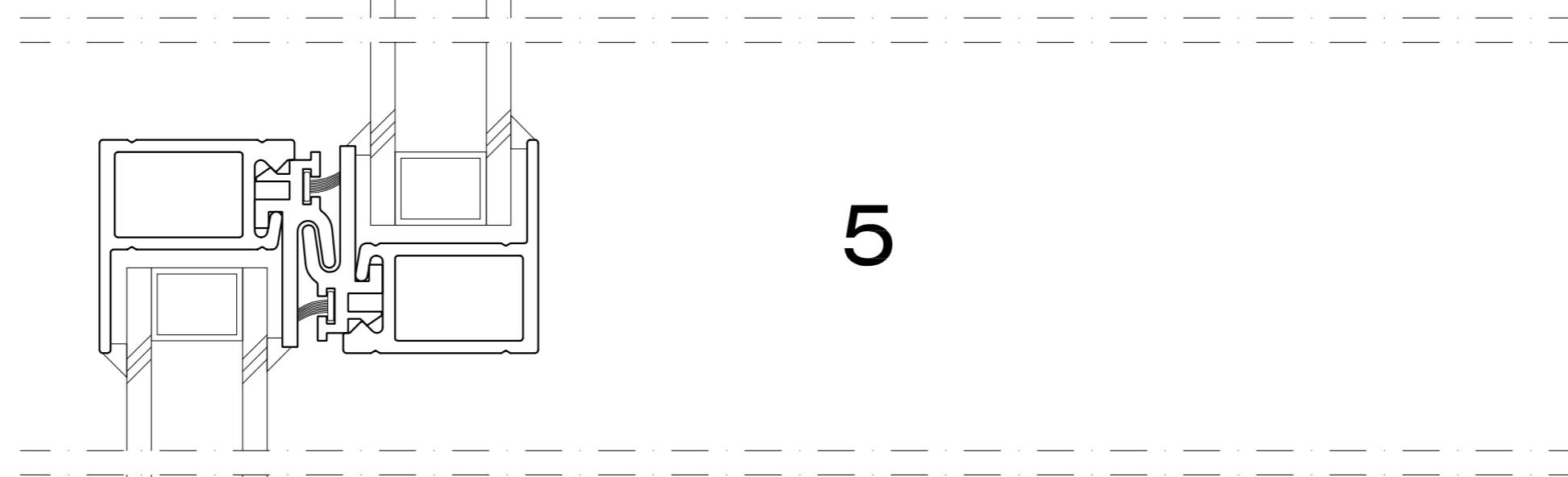
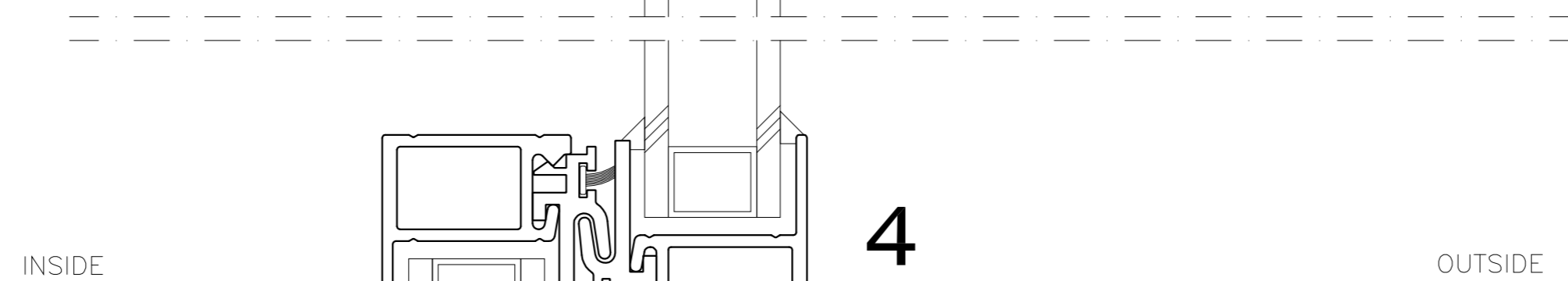
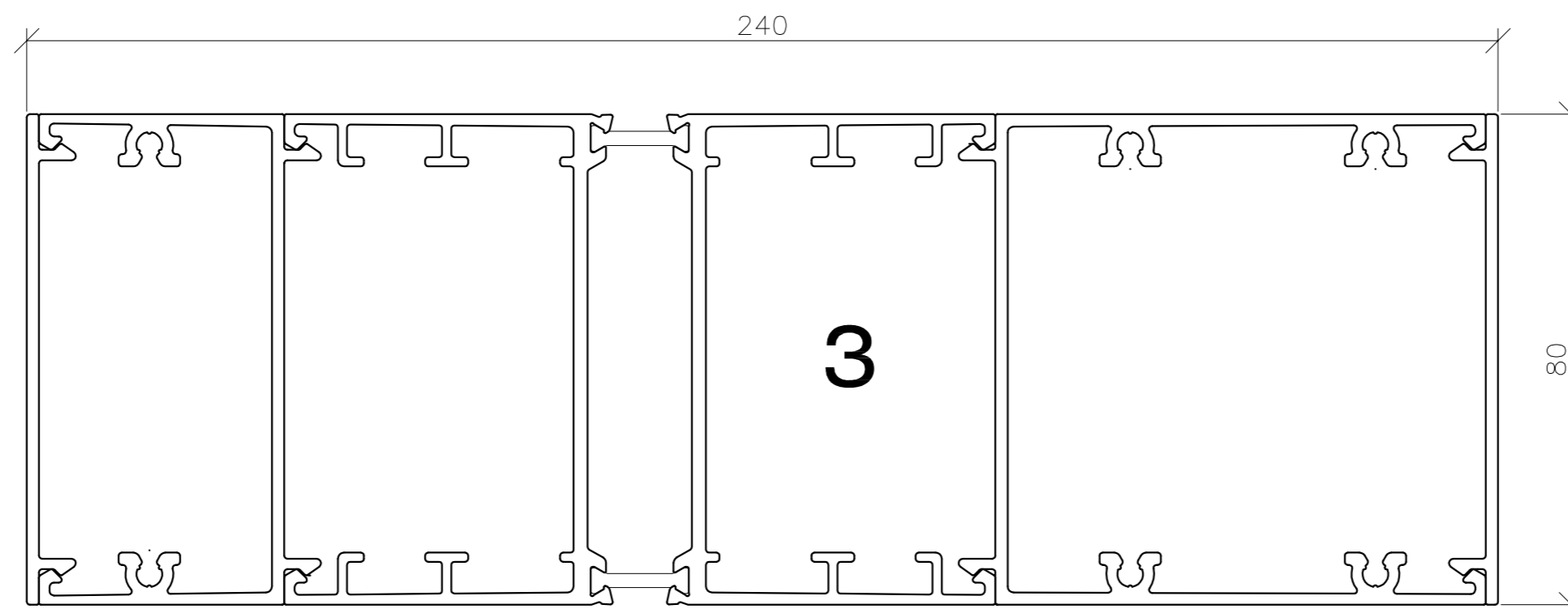
REV	REVISION REFERS TO	DATE	SIGN
-----	--------------------	------	------

SVALSON

SVALSON AB
 Phone +46 911-66725
 Telefax +46 911-66680
 http://www.svalson.com

Box 584
 S-943 28 Ojebyn
 SWEDEN

SLIDING WINDOW TYPE NJORD THERMO		SCALE	VIEW FROM OUTSIDE
DRAWN/DESIGN	---	1:1	VIEW FROM INSIDE
DATE	DD.MM.YY	DRAWING NUMBER	NJORD THERMO



REV	REVISION REFERS TO	DATE	SIGN
-----	--------------------	------	------

SVALSON AB
 Phone +46 911-66725
 Telefax +46 911-66680
 http://www.svalson.com

SLIDING WINDOW TYPE NJORD THERMO		SCALE	VIEW FROM OUTSIDE
DRAWN/DESIGN	---	1:1	VIEW FROM INSIDE
DATE	DD.MM.YY	DRAWING NUMBER	NJORD THERMO

Box 584
 S-943 28 Ojebyn
 SWEDEN